

NON	20.55	19.5	21.45	55560-0801	80
10,21	15.55	14.5	16.45	-0601	60
2,4,8,10,16,18,22,24	13.05	12.0	13.95	-0501	50
2,4,8,10,14,16,20,22	12.05	11.0	12.95	-0461	46
2,3,5,6,8,9,12,13,15,16,18,19	10.55	9.5	11.45	-0401	40
2,3,4,5,7,8,9,10,11,13,14,15,16	9.05	8.0	9.95	-0341	34
ALL	8.05	7.0	8.95	-0301	30
	6.55	5.5	7.45	-0241	24
	6.05	5.0	6.95	-0221	22
	5.55	4.5	6.45	-0201	20
4.55	3.5	5.45	55560-0161	16	
LOCK POSITION	C	B	A	MATERIAL NO.	極数 CIRCUIT

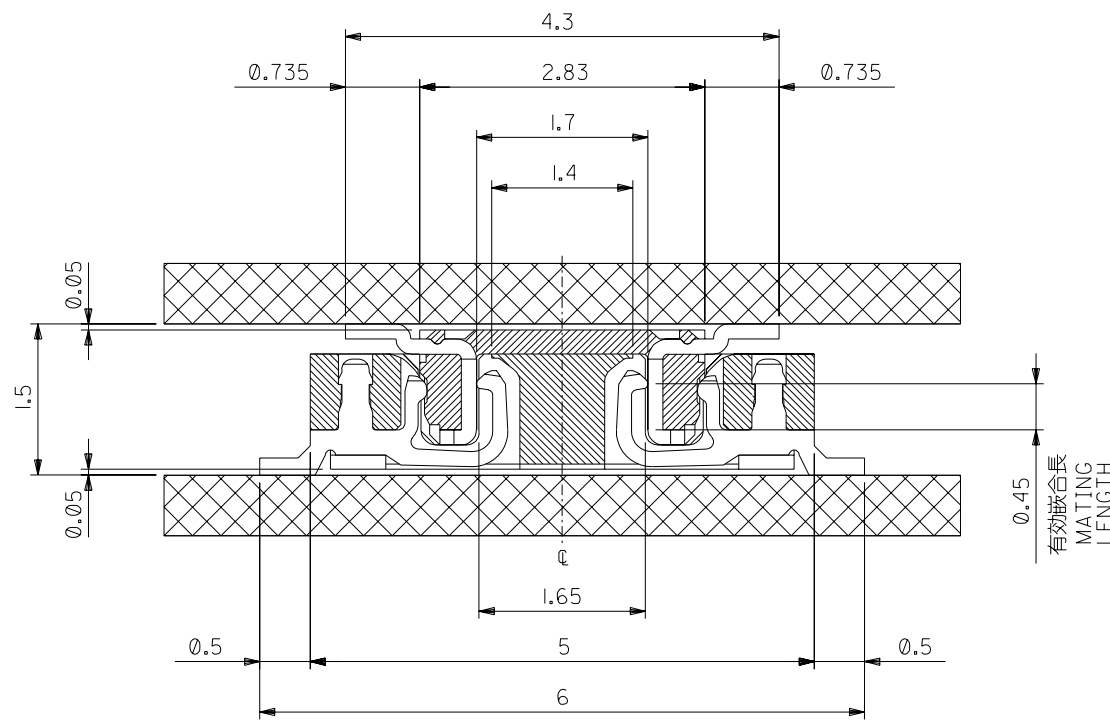
DO NOT SCALE DRAWING

64 NO. DRWN: CH'K: APPR: 63 NO. DRWN: CH'K: APPR: REVISED 62 NO. J2003-2517 DRWN: S.AIHARA '03/03/31 CH'K: M.SASAO APPR: M.SASAO G	REVISED 61 NO. J2003-1929 DRWN: T.YASUI '03/11/23 CH'K: T.IITO APPR: T.IITO F	REVISED 60 NO. J2003-1468 DRWN: T.YASUI '02/11/25 CH'K: T.IITO APPR: T.YAMAGUCHI E	MATERIAL 材料 注記参照 SEE NOTES FINISH 仕上げ WIRE RANGE 適用線径範囲 INS. RANGE 被覆外径
---	--	---	--

GENERAL TOLERANCES: (UNLESS SPECIFIED) 一般公差 10 UNDER 未満 ±0.2 10 OVER 30 UNDER 未満 ±0.25 30 OVER 以上 ±0.3 ANGLE 角度 ±3°	MODEL NO. 55560-***I SCALE 1:1 DESIGN UNITS <input checked="" type="checkbox"/> mm <input type="checkbox"/> INCH DRAWN BY & DATE S.AIHARA '00/10/5 CHECKED BY & DATE M.SASAO '03/03/31 APPROVED BY & DATE M.SASAO '03/03/31 CAD FILENAME 55560006.S01	DIMENSIONS: <input type="checkbox"/> mm <input type="checkbox"/> INCH <input checked="" type="checkbox"/> mm ONLY SHT 1 REV CAD ONLY	TITLE: 0.5 B-To-B Conn PLUG Assy(Hgt=1.5mm)	MOLEX MOLEX INCORPORATED MATERIAL NO. SEE CHART DRAWING NO. SD-55560-006 SHEET NO. 1 OF 2
---	--	---	--	--

THIS DRAWING CONTAINS INFORMATION THAT IS PROPRIETARY TO MOLEX INCORPORATED AND SHOULD NOT BE USED WITHOUT WRITTEN PERMISSION.

DWG. NO.  
SD-55560-006



注記 NOTES:

1. 使用材料 MATERIAL  
 ウェハー: 液晶ポリマー ガラス充填 ,UL94V-0(黒)  
 WAFER :LIQUID CRYSTAL POLYMER  
 (GLASS FILLED), UL94V-0 (COLOR:BLACK)  
 ピン :黄銅 (t=0.15)  
 PIN :BRASS(t=0.15)
2. メッキ仕様 PLATING  
 金メッキ 0.25 MICROMETER MINIMUM (コンタクト部)  
 GOLD 0.25 MICROMETER MINIMUM (CONTACT AREA).  
 金メッキ 0.4 MICROMETER MAXIMUM (テール部)  
 GOLD 0.4 MICROMETER MAXIMUM (TAIL AREA).  
 下地メッキ: ニッケルメッキ 1.5 MICROMETER MINIMUM  
 UNDER PLATING : NICKEL 1.5 MICROMETER MINIMUM.
3. (全極数/2) = 偶数の場合に適用。  
 APPLY FOR (CIRCUIT/2)=EVEN.
4. 嵌合相手: 54722 シリーズ, 54037 シリーズ  
 MATE WITH : 54722 SERIES, 54037 SERIES.
5. テール平坦度は, 0.1 MAXIMUM  
 TAIL COPLANARITY TO BE 0.1 MAXIMUM.

嵌合断面図 (参考)  
MATED DRAWING (REF.)

DO NOT SCALE DRAWING

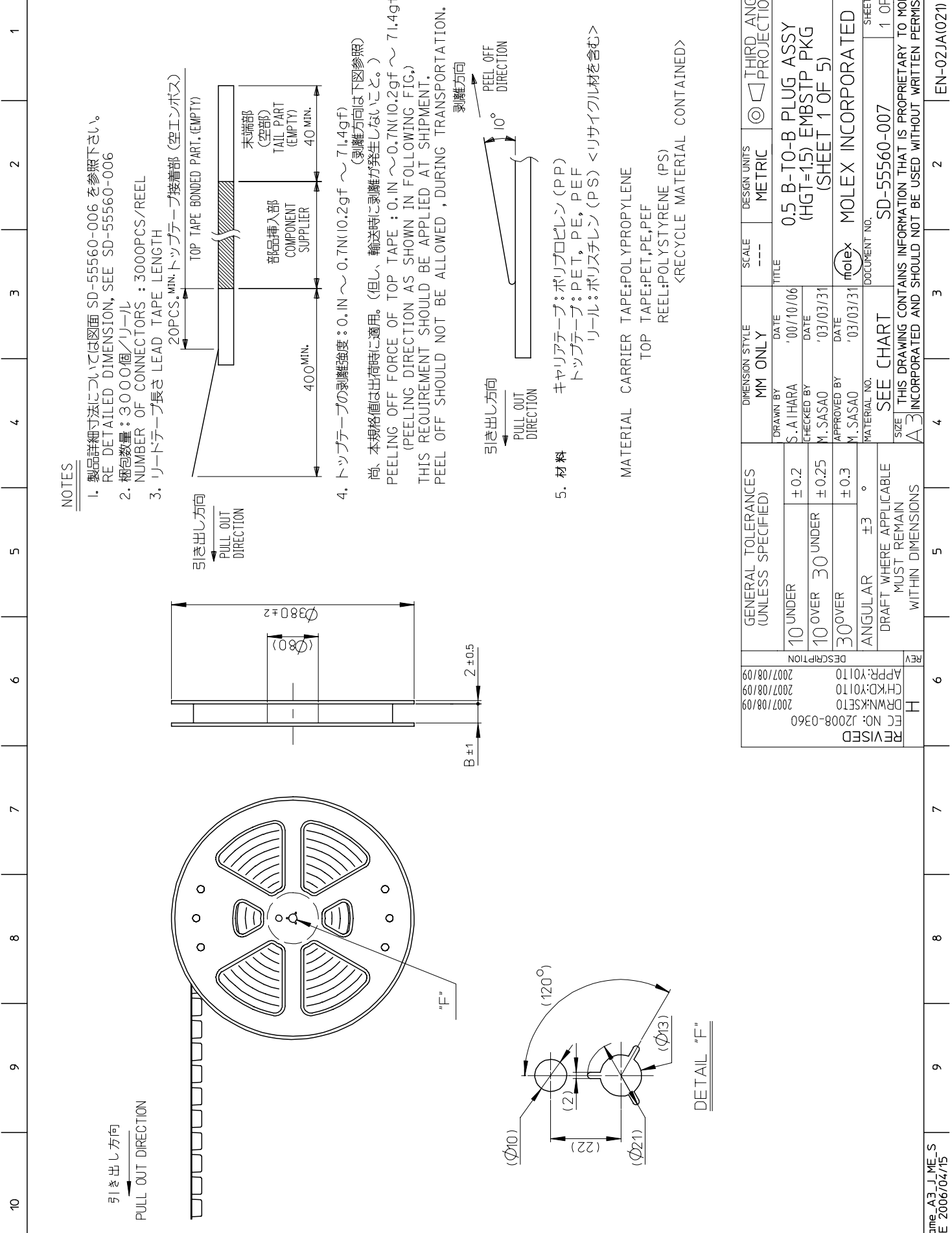
64NO. DRWN: CH'K: APPR:	63NO. DRWN: CH'K: APPR:	REVISED 62NO. J2003-2517 DRWN: S.AIHARA '03/03/31 CH'K: M.SASAO APPR: M.SASAO	REVISED 61NO. J2003-1929 DRWN: T.YASUI '03/11/23 CH'K: T.ITO APPR: T.ITO	REVISED 60NO. J2003-1468 DRWN: T.YASUI '02/11/25 CH'K: T.ITO APPR: T.YAMAGUCHI	MATERIAL 材料 注記参照 SEE NOTES	FINISH 仕上げ //	WIRE RANGE 適用線径範囲 //	INS. RANGE 被覆外径 //
----------------------------	----------------------------	---	--	--	----------------------------------	------------------	-------------------------	-----------------------

GENERAL TOLERANCES: (UNLESS SPECIFIED) 一般公差	10 UNDER 未満 30 UNDER 未満 30 OVER 以上 ANGLE 角度	±0.2 ±0.25 ±0.3 ±3°
---	--	------------------------------

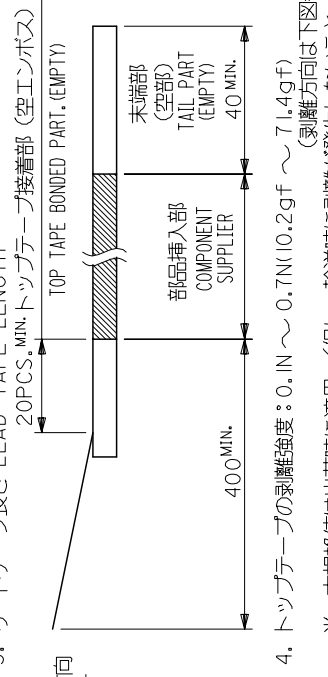
SCALE 1:1 DESIGN UNITS mm INCH DRAWN BY & DATE S.AIHARA '00/10/5 CHECKED BY & DATE M.SASAO '03/03/31 APPROVED BY & DATE M.SASAO '03/03/31 CAD FILENAME 55560006.S02	MODEL NO. 55560-***I DIMENSIONS: mm INCH mm ONLY SHT 2 OF 2 REV REVISE ON CAD ONLY	TITLE: 0.5 B-To-B Conn PLUG Assy(Hgt=1.5mm) MOLEX INCORPORATED MATERIAL NO. SEE CHART DRAWING NO. SD-55560-006
--	---	---

MOLEX INCORPORATED 55560006.S02 SEE CHART SD-55560-006 2 OF 2	EN-02J(097) MXJ-54
---	--------------------

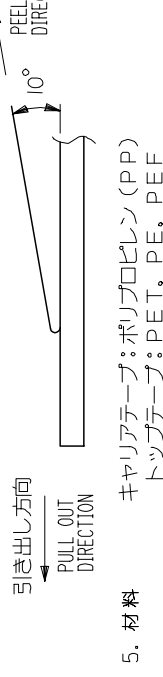
SIZE B



- NOTES
1. 製品詳細寸法については図面 SD-55560-006 を参照下さい。  
RE DETAILED DIMENSION, SEE SD-55560-006
  2. 梱包数量: 3000個/リール  
NUMBER OF CONNECTORS: 3000PCS/REEL
  3. リードテープ長さ LEAD TAPE LENGTH  
20PCS. MIN. トップテープ接着部 (空インボス)  
TOP TAPE BONDED PART. (EMPTY)



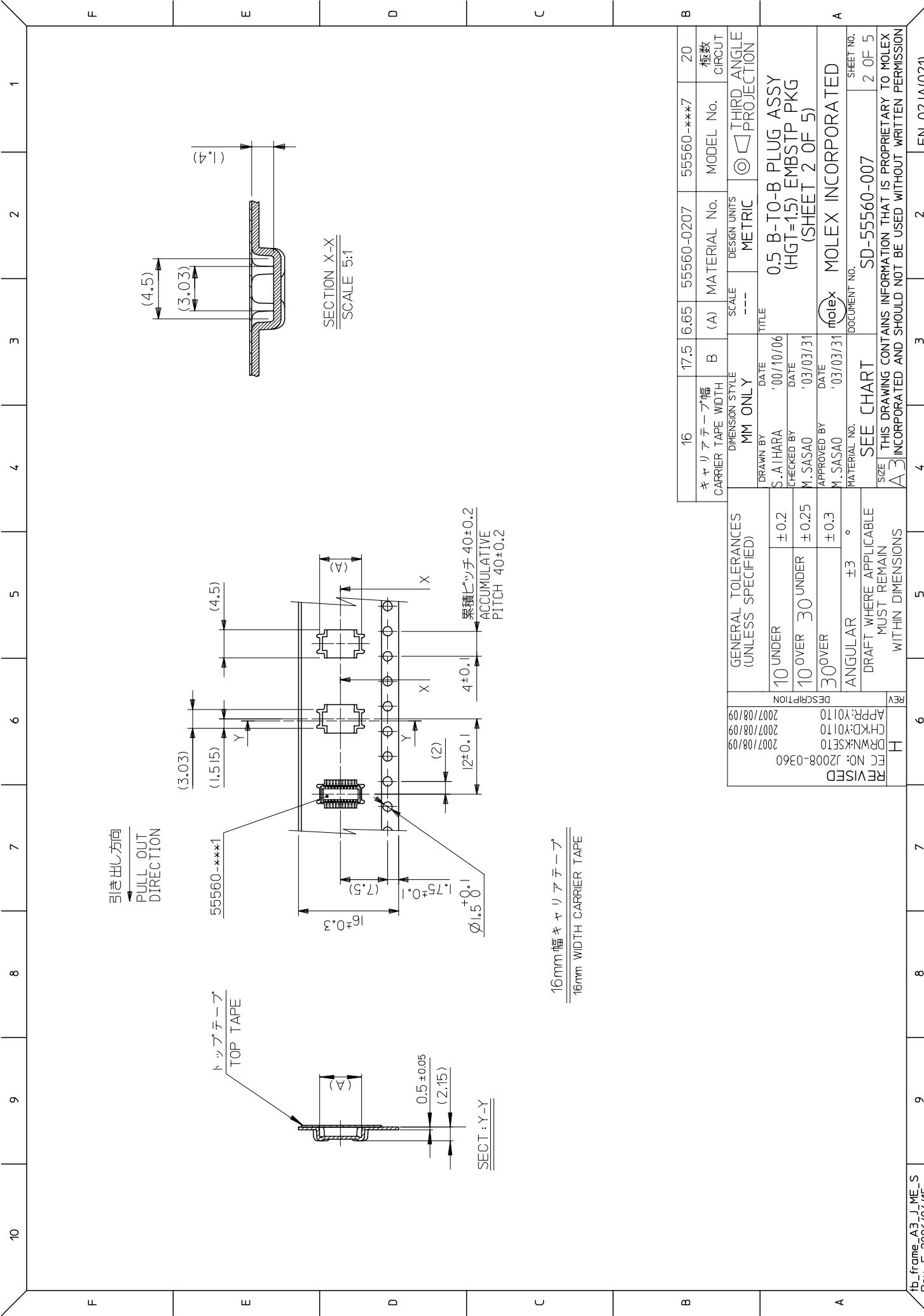
4. トップテープの剥離強度:  $0.1N \sim 0.7N(10.2gf \sim 71.4gf)$   
(剥離方向は下図参照)  
尚、本規格値は出荷時に適用。(但し、輸送時に剥離が発生しないこと。)  
PEELING OFF FORCE OF TOP TAPE:  $0.1N \sim 0.7N(10.2gf \sim 71.4gf)$   
(PEELING DIRECTION AS SHOWN IN FOLLOWING FIG.)  
THIS REQUIREMENT SHOULD BE APPLIED AT SHIPMENT.  
PEEL OFF SHOULD NOT BE ALLOWED, DURING TRANSPORTATION.



5. 材料  
キャリアテープ: ポリプロピレン (PP)  
トップテープ: PET, PE, PEF  
リール: ポリスチレン (PS) <リサイクル材を含む>

MATERIAL CARRIER TAPE: POLYPROPYLENE  
TOP TAPE: PET, PE, PEF  
REEL: POLYSTYRENE (PS)  
<RECYCLE MATERIAL CONTAINED>

GENERAL TOLERANCES (UNLESS SPECIFIED)	MM ONLY	SCALE	DESIGN UNITS	THIRD ANGLE PROJECTION
10 UNDER	$\pm 0.2$	---	METRIC	
10 OVER	$\pm 0.25$	TITLE 0.5 B-T-O-B PLUG ASSY (HGT=1.5) EMBSTP PKG (SHEET 1 OF 5)		
30 OVER	$\pm 0.3$	DRAWN BY S. AIHARA '00/10/06		
ANGULAR	$\pm 3$	CHECKED BY M. SASAO '03/03/31		
DRAFT WHERE APPLICABLE MUST REMAIN WITHIN DIMENSIONS				
REVISED FC NO: J2008-0360				
DESCRIPTION				
REV	APPR: Y0110 2007/08/09			
H	CHKD: Y0110 2007/08/09			
DRAWN: KSETO 2007/08/09				
SEE CHART				
MATERIAL NO. '03/03/31				
APPROVED BY M. SASAO				
DOCUMENT NO. MOLEX INCORPORATED				
SHEET NO. SD-55560-007				
SIZE THIS DRAWING CONTAINS INFORMATION THAT IS PROPRIETARY TO MOLEX INCORPORATED AND SHOULD NOT BE USED WITHOUT WRITTEN PERMISSION				
1 OF 5				



引き出し方向  
PULL OUT  
DIRECTION

トップテープ  
TOP TAPE

SECTION X-X  
SCALE 5:1

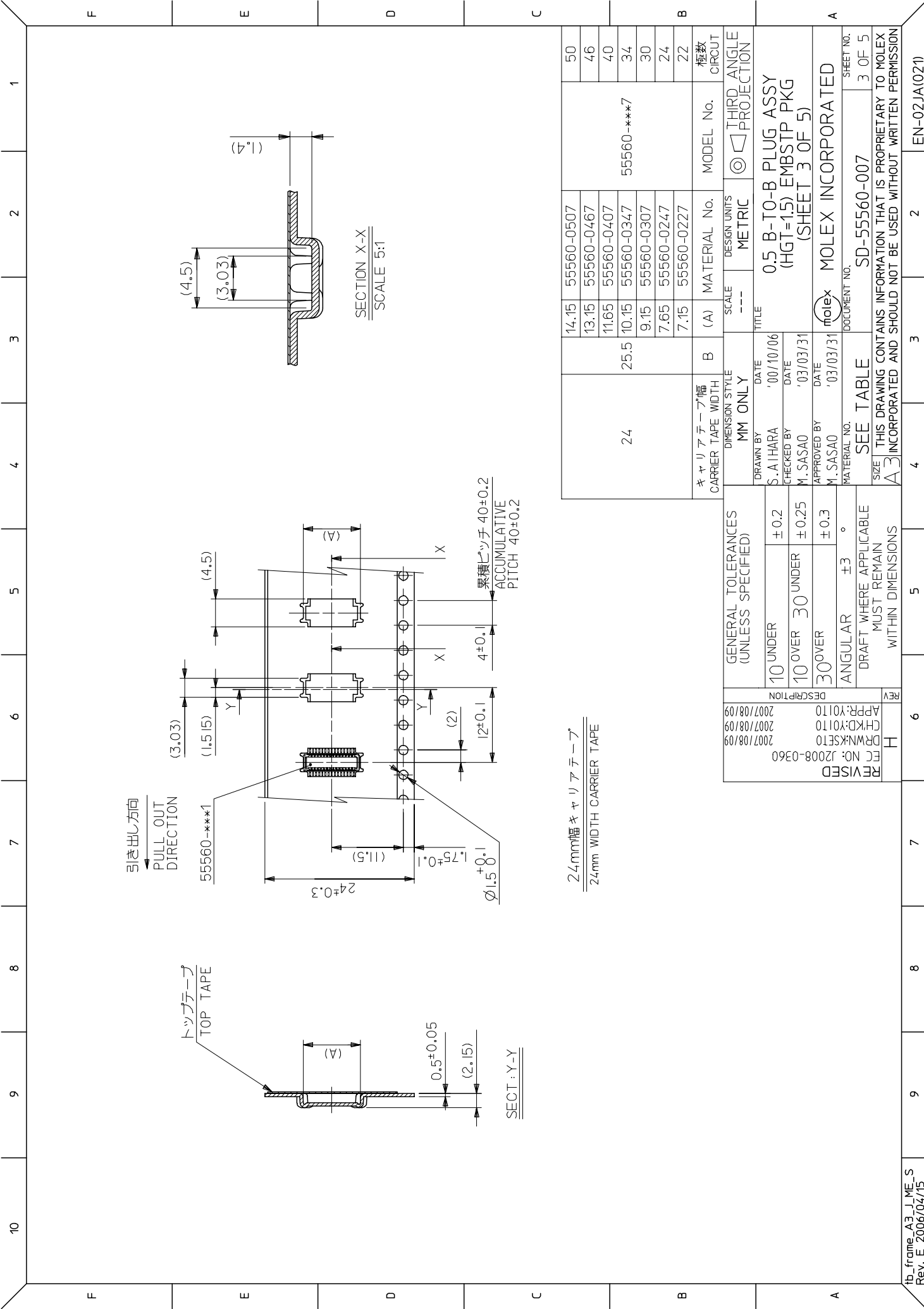
SECTION Y-Y

16mm幅キャリアテープ  
16mm WIDTH CARRIER TAPE

累積ピッチ 40±0.2  
ACCUMULATIVE  
PITCH 40±0.2

16	17.5	6.65	55560-0207	55560-***7	20
キャリアテープ幅 CARRIER TAPE WIDTH	B	(A)	MATERIAL No.	MODEL No.	極数 CIRCUT
DIMENSION STYLE		SCALE	DESIGN UNITS	THIRD ANGLE PROJECTION	
MM ONLY		---	METRIC		
DRAWN BY	DATE	TITLE			
S. AIHARA	'00/10/06	0.5 B-T0-B PLUG ASSY (HGT=1.5) EMBSTP PKG (SHEET 2 OF 5)			
CHECKED BY	DATE				
M. SASAO	'03/03/31				
APPROVED BY	DATE				
M. SASAO	'03/03/31				
MATERIAL No.	DOCUMENT No.	MOLEX INCORPORATED			
SEE CHART	SD-55560-007	SHEET NO. 2 OF 5			
SIZE THIS DRAWING CONTAINS INFORMATION THAT IS PROPRIETARY TO MOLEX A3 INCORPORATED AND SHOULD NOT BE USED WITHOUT WRITTEN PERMISSION					

GENERAL TOLERANCES (UNLESS SPECIFIED)	
10 UNDER	± 0.2
10 OVER	± 0.25
30 OVER	± 0.3
ANGULAR	± 3 °
DRAFT WHERE APPLICABLE MUST REMAIN WITHIN DIMENSIONS	
REVISED	FC NO: J2008-0360
DRW/K:SET10	2007/08/09
CHK/D:Y0110	2007/08/09
APP/R:Y0110	2007/08/09
DESCRIPTION	
REV	



引き出し方向  
PULL OUT  
DIRECTION

トップテープ  
TOP TAPE

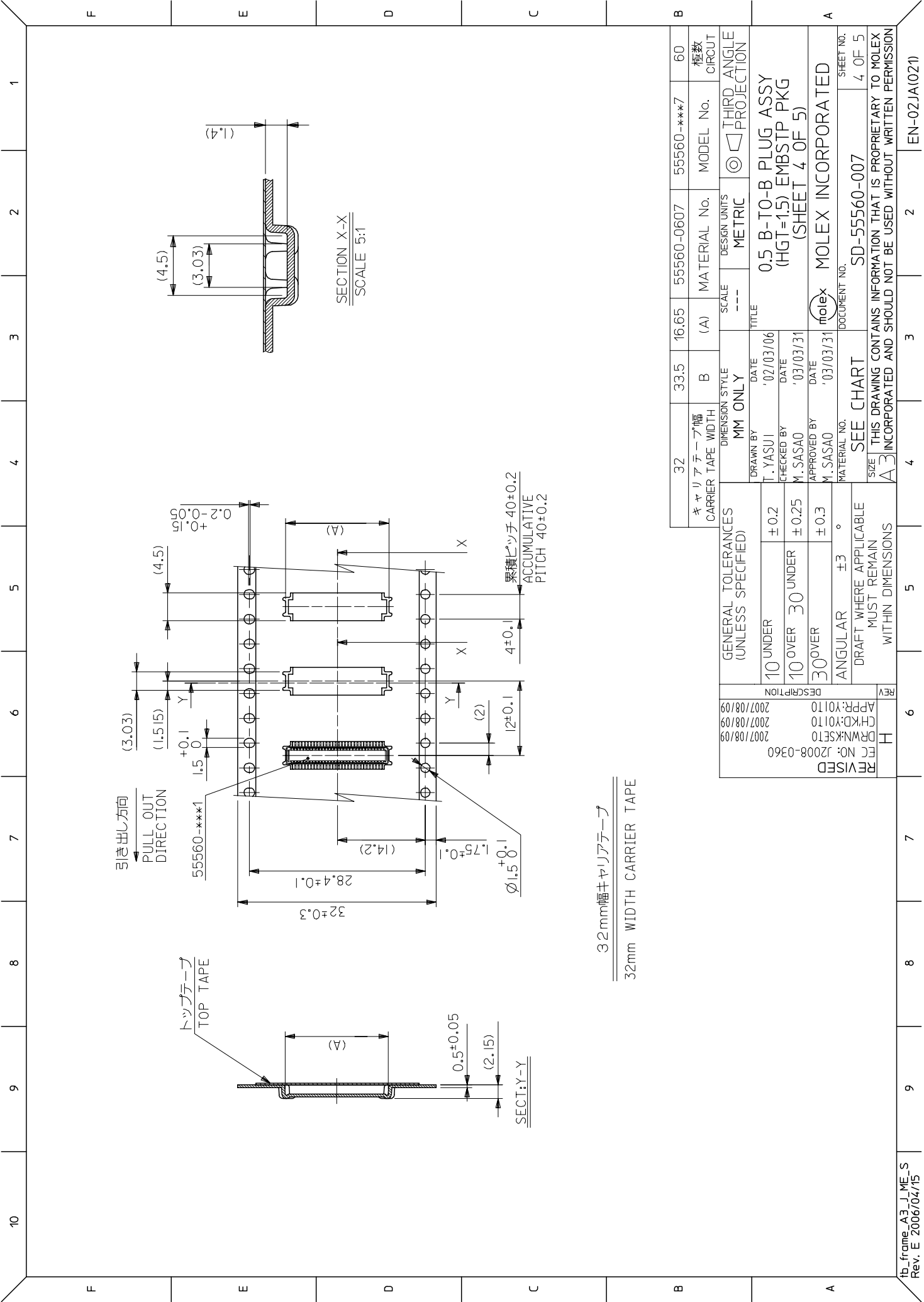
SECTION X-X  
SCALE 5:1

SECTION Y-Y

累積ピッチ 40±0.2  
ACCUMULATIVE  
PITCH 40±0.2

24mm幅 キャリアテープ  
24mm WIDTH CARRIER TAPE

24	25.5	14.15	55560-0507	50
		13.15	55560-0467	46
		11.65	55560-0407	40
		10.15	55560-0347	34
		9.15	55560-0307	30
		7.65	55560-0247	24
		7.15	55560-0227	22
キャリアテープ幅 CARRIER TAPE WIDTH		(A)	MATERIAL No.	MODEL No.
DIMENSION STYLE MM ONLY		SCALE ---	DESIGN UNITS METRIC	THIRD ANGLE PROJECTION
DRAWN BY S. AIHARA		DATE '00/10/06		0.5 B-T0-B PLUG ASSY (HGT=1.5) EMBSTP PKG (SHEET 3 OF 5)
CHECKED BY M. SASAO		DATE '03/03/31		
APPROVED BY M. SASAO		DATE '03/03/31		
MATERIAL No.		DOCUMENT No.		
GENERAL TOLERANCES (UNLESS SPECIFIED)		SEE TABLE		
10 UNDER ±0.2		MOLEX INCORPORATED		
10 OVER 30 UNDER ±0.25				
30 OVER ±0.3				
ANGULAR ±3 °		DRAWING CONTAINS INFORMATION THAT IS PROPRIETARY TO MOLEX INCORPORATED AND SHOULD NOT BE USED WITHOUT WRITTEN PERMISSION		
DRAFT WHERE APPLICABLE MUST REMAIN WITHIN DIMENSIONS		SHEET NO. 3 OF 5		
DESCRIPTION		REV		
APR:Y0110 2007/08/09		H		
CHKD:Y0110 2007/08/09		REVISED		
DRM:K:SET0 2007/08/09		FC No.: J2008-0360		

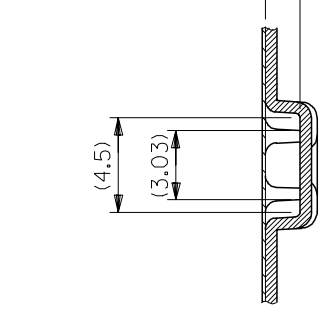
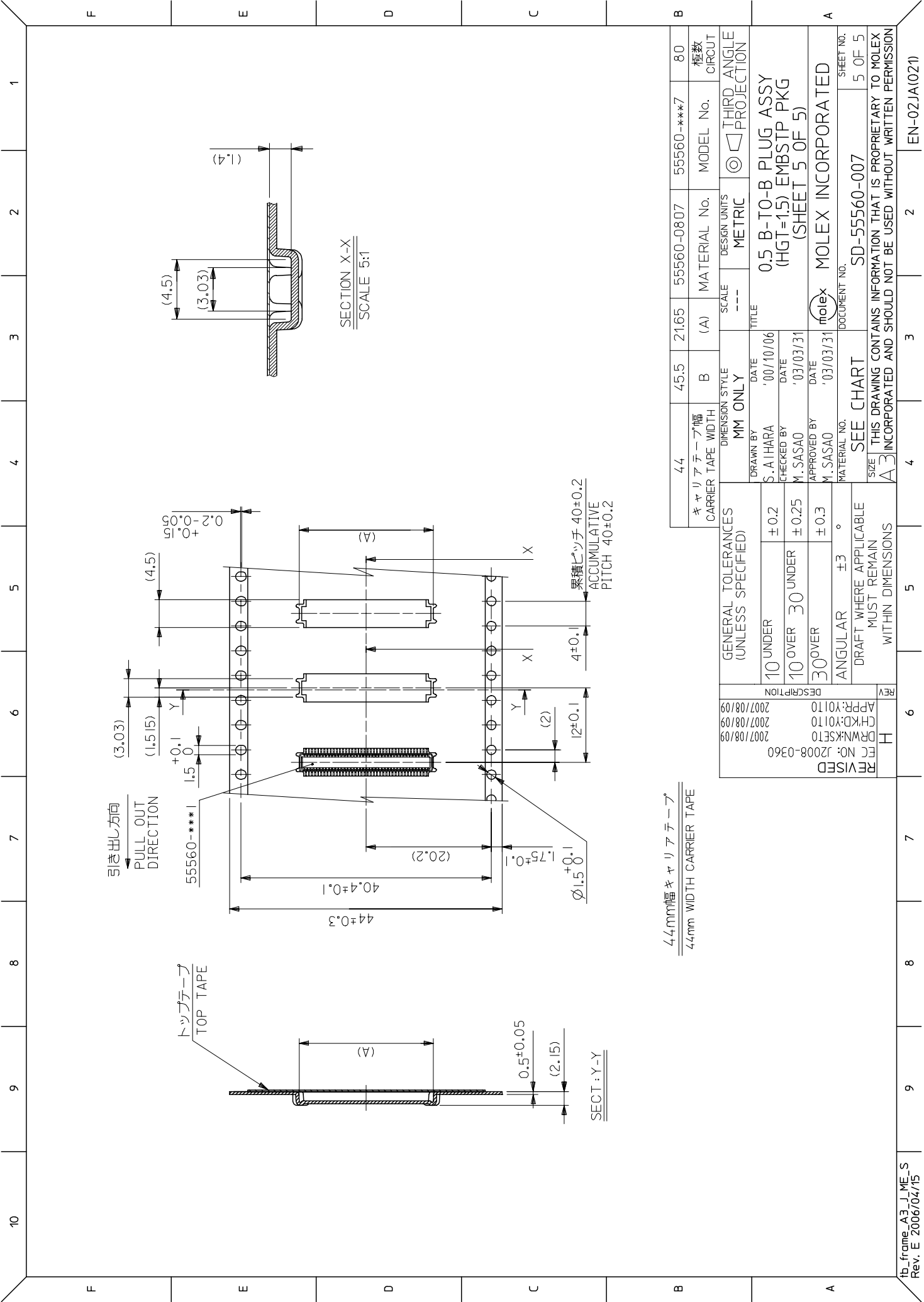


32mm幅キャリアテープ  
32mm WIDTH CARRIER TAPE

32	キャリアテープ幅 CARRIER TAPE WIDTH	33.5	16.65	55560-0607	55560-***7	60
	極数 CIRCUT					
	MODEL No.					
	DESIGN UNITS					
	METRIC					
	THIRD ANGLE PROJECTION					
	TITLE	0.5 B-T0-B PLUG ASSY (HGT=1.5) EMBSTP PKG (SHEET 4 OF 5)				
	SCALE	---				
	DRAWN BY	T. YASUI	DATE	'02/03/06		
	CHECKED BY	M. SASAO	DATE	'03/03/31		
	APPROVED BY	M. SASAO	DATE	'03/03/31		
	MATERIAL No.	MOLEX INCORPORATED				
	DOCUMENT No.	SD-55560-007				
	SHEET No.	4 OF 5				
	SIZE	THIS DRAWING CONTAINS INFORMATION THAT IS PROPRIETARY TO MOLEX INCORPORATED AND SHOULD NOT BE USED WITHOUT WRITTEN PERMISSION				
	REV	A3 INCORPORATED				

GENERAL TOLERANCES (UNLESS SPECIFIED)	
10 UNDER	±0.2
10 OVER	30 UNDER
30 OVER	±0.25
ANGULAR	±0.3
DRAFT WHERE APPLICABLE MUST REMAIN WITHIN DIMENSIONS	

REVISED	FC NO: J2008-0360
DRWN:KSETO	2007/08/09
CHKD:Y0110	2007/08/09
APPR:Y0110	2007/08/09
DESCRIPTION	
7	
6	
5	
4	
3	
2	
1	



44mm幅キャリアテープ  
44mm WIDTH CARRIER TAPE

44	キャリアテープ幅 CARRIER TAPE WIDTH	45.5	21.65	55560-0807	55560-***7	80
	極数 CIRCUT					
	MODEL No.					
	MATERIAL No.					
	DESIGN UNITS					
	METRIC					
	SCALE					
	MM ONLY					
	DIMENSION STYLE					
	B					
	DRAWN BY					
	S. AIHARA					
	CHECKED BY					
	M. SASAO					
	APPROVED BY					
	M. SASAO					
	MATERIAL No.					
	SEE CHART					
	THIS DRAWING CONTAINS INFORMATION THAT IS PROPRIETARY TO MOLEX INCORPORATED AND SHOULD NOT BE USED WITHOUT WRITTEN PERMISSION					
	INCORPORATED					
	DOCUMENT No.					
	SD-55560-007					
	SHEET No.					
	5 OF 5					

GENERAL TOLERANCES (UNLESS SPECIFIED)	10 UNDER ±0.2	10 OVER 30 UNDER ±0.25	30 OVER ±0.3	ANGULAR ±3°
DRAFT WHERE APPLICABLE MUST REMAIN WITHIN DIMENSIONS				
DESCRIPTION	REV			
FC NO: J2008-0360	REVISED			
DRW:K:SETO				
CHK:D:Y0110				
APP:Y0110				
2007/08/09				
2007/08/09				
2007/08/09				